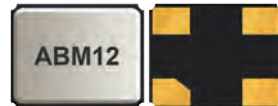


# ULTRA MINIATURE CERAMIC SMD CRYSTAL



1.6 x 1.2 x 0.45mm

ABM12

**Pb** RoHS/RoHS II Compliant

Moisture Sensitivity Level (MSL) – This product is Hermetically Sealed and not Moisture Sensitive - MSL = N/A: Not Applicable

## FEATURES:

- Suitable for RoHS reflow profile
- Available tight tolerance and stability
- Electron beam sealed ceramic package assures high precision and reliability
- Smallest package size in industry 1.6 x 1.2 x 0.46mm

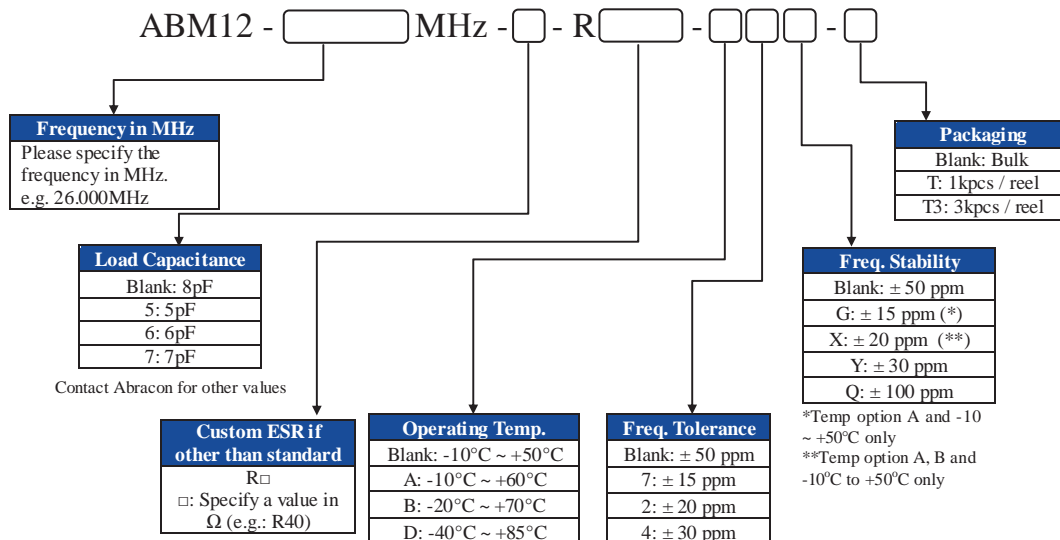
## APPLICATIONS:

- Blue-tooth, Wireless applications
- Computers, Modems, Microprocessors
- Communication, Test equipment
- High density applications
- PCMCIA
- Portable radios and MP3 players

## STANDARD SPECIFICATIONS:

Parameters	Minimum	Typical	Maximum	Units	Notes
Frequency Range	24.000		80.000	MHz	
Standard Frequencies	26.000, 32.000 and 36.000MHz				(Contact Abracon for other frequencies)
Operation Mode	Fundamental				
Operating Temperature	-10		+50	°C	See options
Storage Temperature	-40		+85	°C	
Frequency Tolerance @+25°C	-50		+50	ppm	See options
Frequency Stability over the Operating Temperature ( ref. to +25°C)	-50		+50	ppm	See options
Equivalent series resistance (R1) (Effective 8/14/2012)			200	Ω	24.000~39.999MHz
			100		40.000~80.000 MHz
Shunt capacitance (C0)			5	pF	
Load capacitance (CL)		8		pF	Standard (See options if other than STD)
Drive Level		10	100	μW	
Aging	-5		+5	ppm	@25°C±3°C First year
Insulation Resistance	500			MΩ	@ 100Vdc ± 15V

## OPTIONS & PART IDENTIFICATION: (Left blank if standard)



# ULTRA MINIATURE CERAMIC SMD CRYSTAL

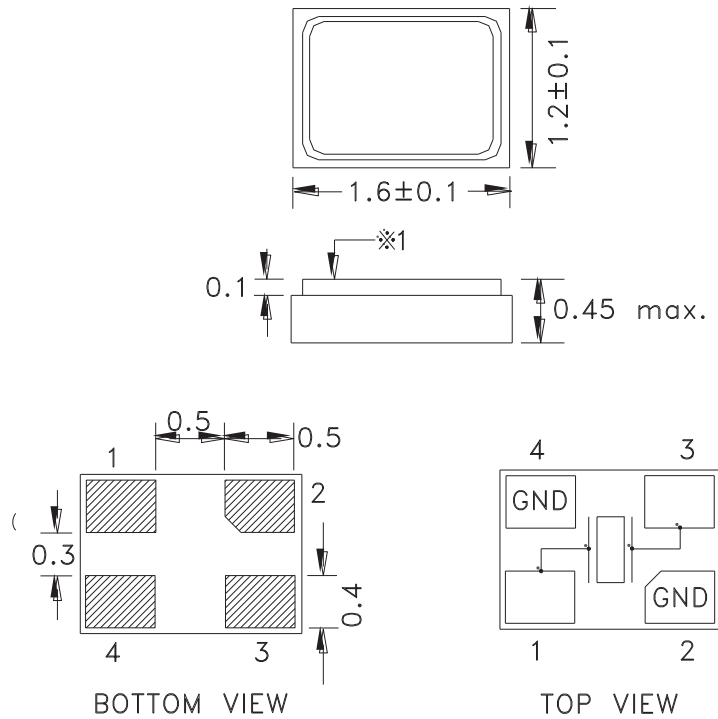


1.6 x 1.2 x 0.45mm

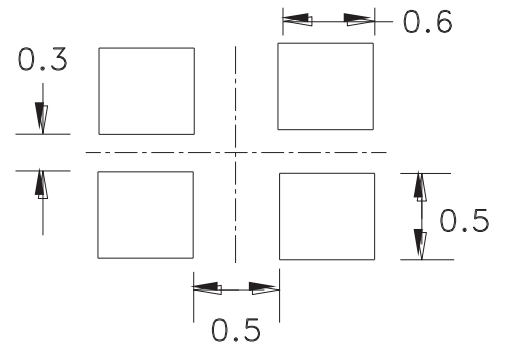
ABM12

RoHS/RoHS II Compliant

## OUTLINE DRAWING:



Recommended land pattern



Pin 2 and pin 4 are connected to the metal lid (\*1). (Please connect to GND)

Note 1: Due to material availability, the outline and finish color of the component lid may vary. This variation in no way affects the electrical performance of the product.

Note 2: Due to materials availability, this part may be manufactured with the chamfer on pin 1 or 2. This variation in no way affects the electrical performance of the product.

Dimensions: mm

## REFLOW PROFILE:

