

NX1610SA

For OA / AV / Mobile Communications

■ Features

Ultra compact, thin, and light weight tuning fork crystal unit.

- Ultra compact and thin. (1.6×1.0×0.45mm)
- Excellent electric performance optimum for mobile communications, OA (office automation) and AV (audiovisual) applications are exhibited.
- A surface-mount crystal oscillator. (Reflow soldering is possible.)
- RoHS compliant. These can meet the requirements of re-flow profiling using leadfree solder.



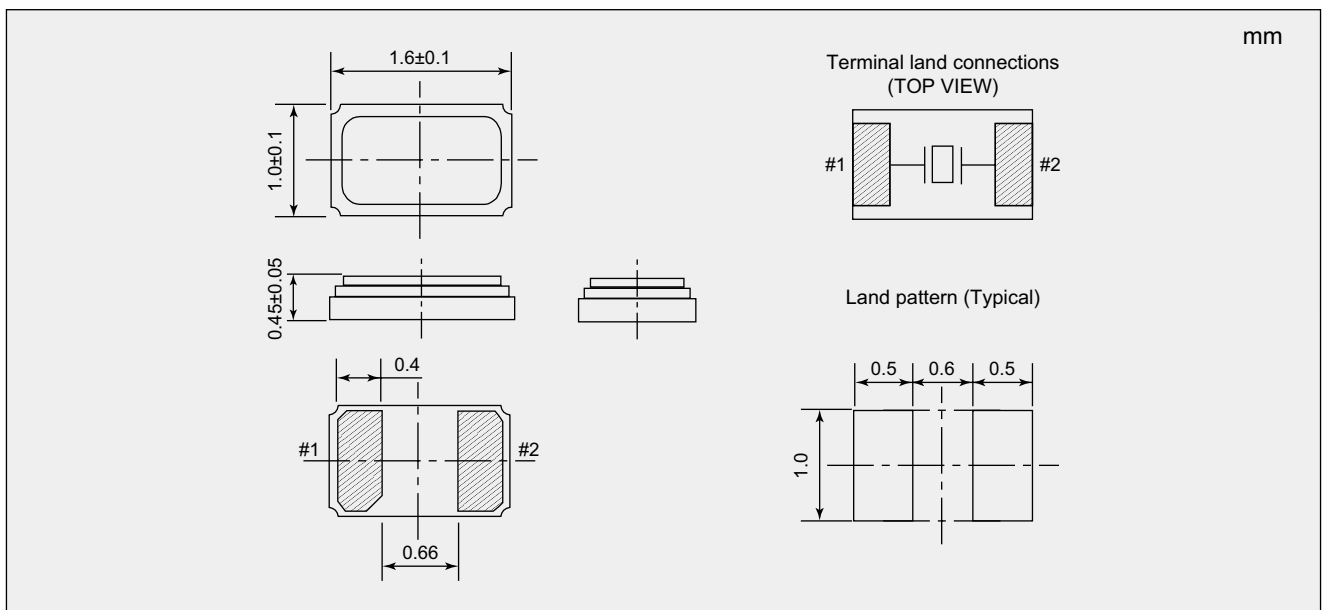
Pb Free

RoHS Compliant
Directive 2011/65/EU

■ Specifications

Item	Model		
	NX1610SA		
Nominal Frequency	32.768kHz		
Operating Temperature Range	-40 to +85°C		
Storage Temperature Range	-40 to +85°C		
Level of Drive	0.1μW (Max. 0.5μW)		
Frequency Tolerance (25 ±3 °C)	±20 × 10 ⁻⁶		
Turning Point	+25°C ± 5°C		
Temperature Coefficient	Max. -0.04 × 10 ⁻⁶ /°C ²		
Load Capacitance	6.0pF	9.0pF	12.5pF
Equivalent Series Resistance	Max. 90kΩ		
Shunt Capacitance	Typ. 1.3pF/ Max. 1.6pF		
Insulation Resistance	Min. 500MΩ		
Specifications Number	STD-MUD-2	STD-MUD-3	STD-MUD-1

■ Dimensions



Please specify the model name, frequency, and specification number when you order products.
For further questions regarding specifications, please feel free to contact us.