

ECX-2236 SMD CRYSTAL



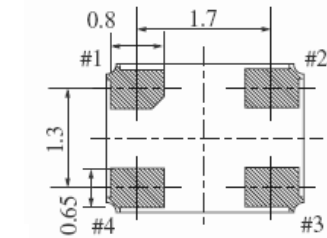
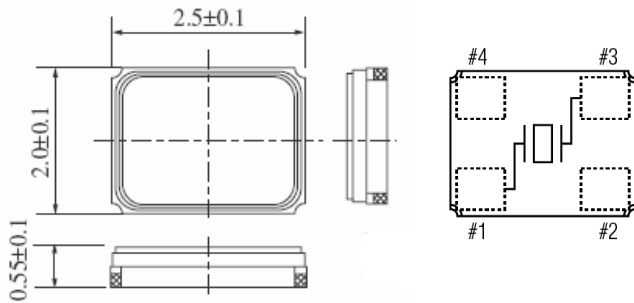
The miniature ECX-2236 is a very compact SMD Crystal. The 2.5 x 2.0 x 0.55 mm ceramic package is ideal for today's SMD manufacturing environment.

OPERATING CONDITIONS / ELECTRICAL CHARACTERISTICS

PARAMETERS	CONDITIONS	ECX-2236			UNITS
		MIN	TYP	MAX	
Frequency Range		16.000		80.000	MHz
Frequency Tolerance	at +25°C			± 50 *	ppm
Frequency Stability	-20 to +70°C			± 50 *	ppm
Shunt Capacitance				5	pF
Load Capacitance	Specify in P/N		8		pF
Drive Level				100	µW
Operating Temperature		-20		+70	°C
Storage Temperature		-55		+125	°C
Aging (Per Year)	@ +25°C ±3°C			±5	ppm

EQUIVALENT SERIES RESISTANCE/MODE OF OSCILLATION

FREQUENCY RANGE (MHz)	MODE OF OSC	MAX ESR Ω	FREQUENCY RANGE (MHz)	MODE OF OSC	MAX ESR Ω
16.00 ~ 19.999	Fundamental	80	30.000 ~ 34.999	Fundamental	50
20.000 ~ 29.999	Fundamental	60	35.000 ~ 80.000	Fundamental	40



Pad Connections	
1	In/Out
2	Gnd
3	Out/In
4	

